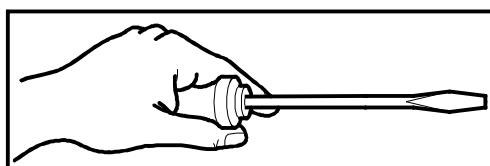


**GL 71**



# GL 71

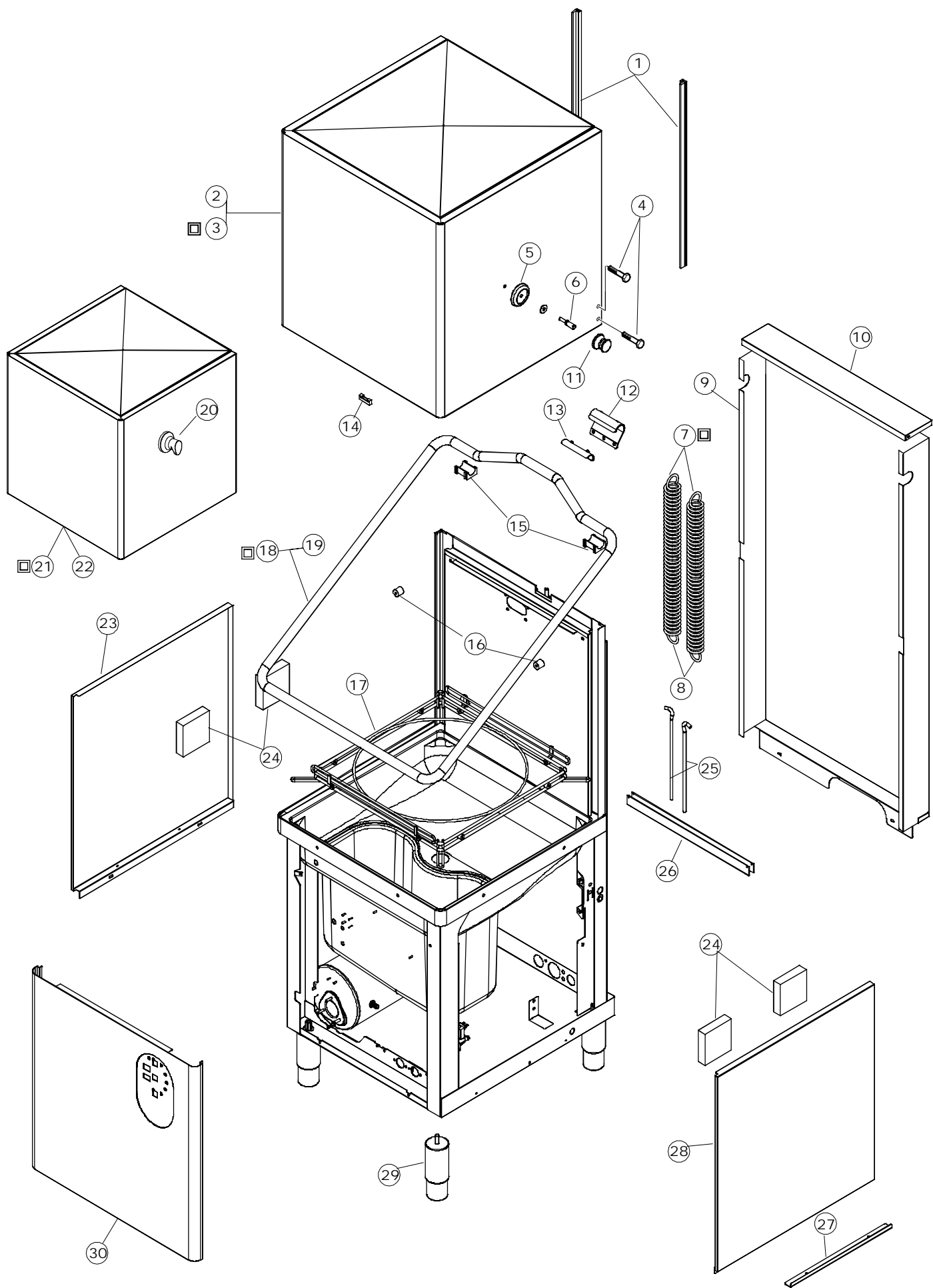
Tav. 1 – Carrozzeria  
Tav. 2 – Impianto elettrico  
Tav. 3 – Componenti in vasca  
Tav. 4 – lance lavaggio – Risciacquo  
Tav. 5 – Pompa lavaggio  
Tav. 5A – Pompa lavaggio

Tav. 1 – Machine Body  
Tav. 2 – Electrical components  
Tav. 3 – Components in the tank  
Tav. 4 – Wash arms – Rinsing  
Tav. 5 – Wash pump  
Tav. 5A – Wash pump

Tab. 1 – Carroceria  
Tab. 2 – Instalaciòn elèctrica  
Tab. 3 – Componentes en cuba  
Tab. 4 – Lances lavages – Enjuague  
Tab.5 – Bomba lavado  
Tab.5A – Bomba lavado

Tab. 1 – Carrosserie  
Tab. 2 – Installation électrique  
Tab. 3 – Composants de cuve  
Tab. 4 – Rampes de lavage Rinçage  
Tab. 5 – Pompe lavage  
Tab. 5A – Pompe lavage

Taf. 1 – Verkleidung  
Taf. 2 – Elektrische Anlage  
Taf. 3 – Bauteile im Waschtank  
Taf. 4 – Spuelarme – Klarspülung  
Taf. 5 – Spülpumpe  
Taf. 5A – Spülpumpe

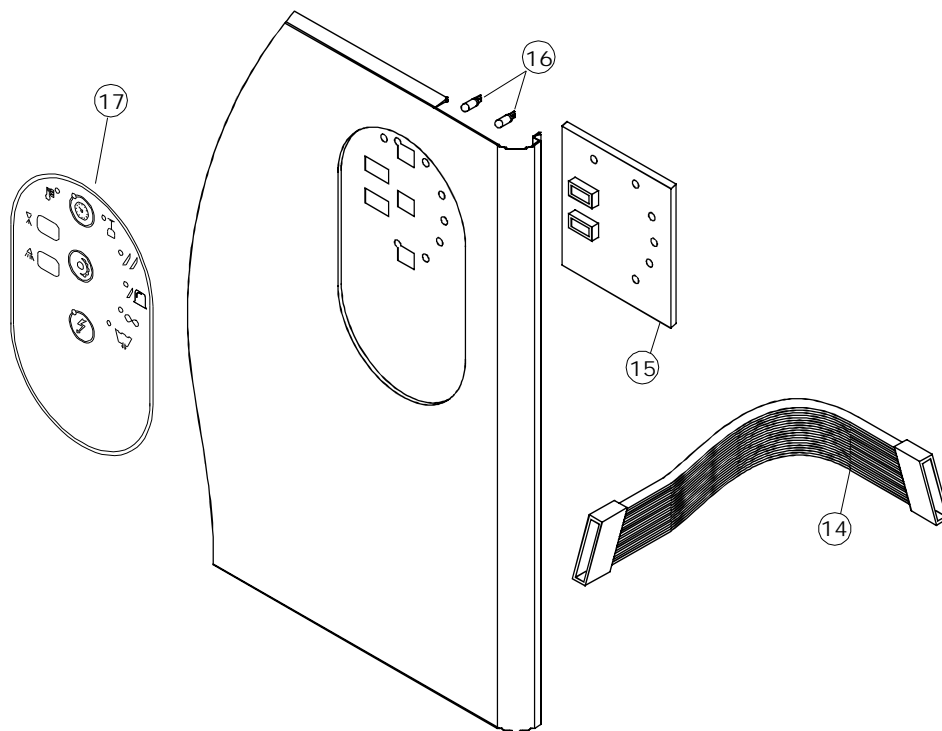
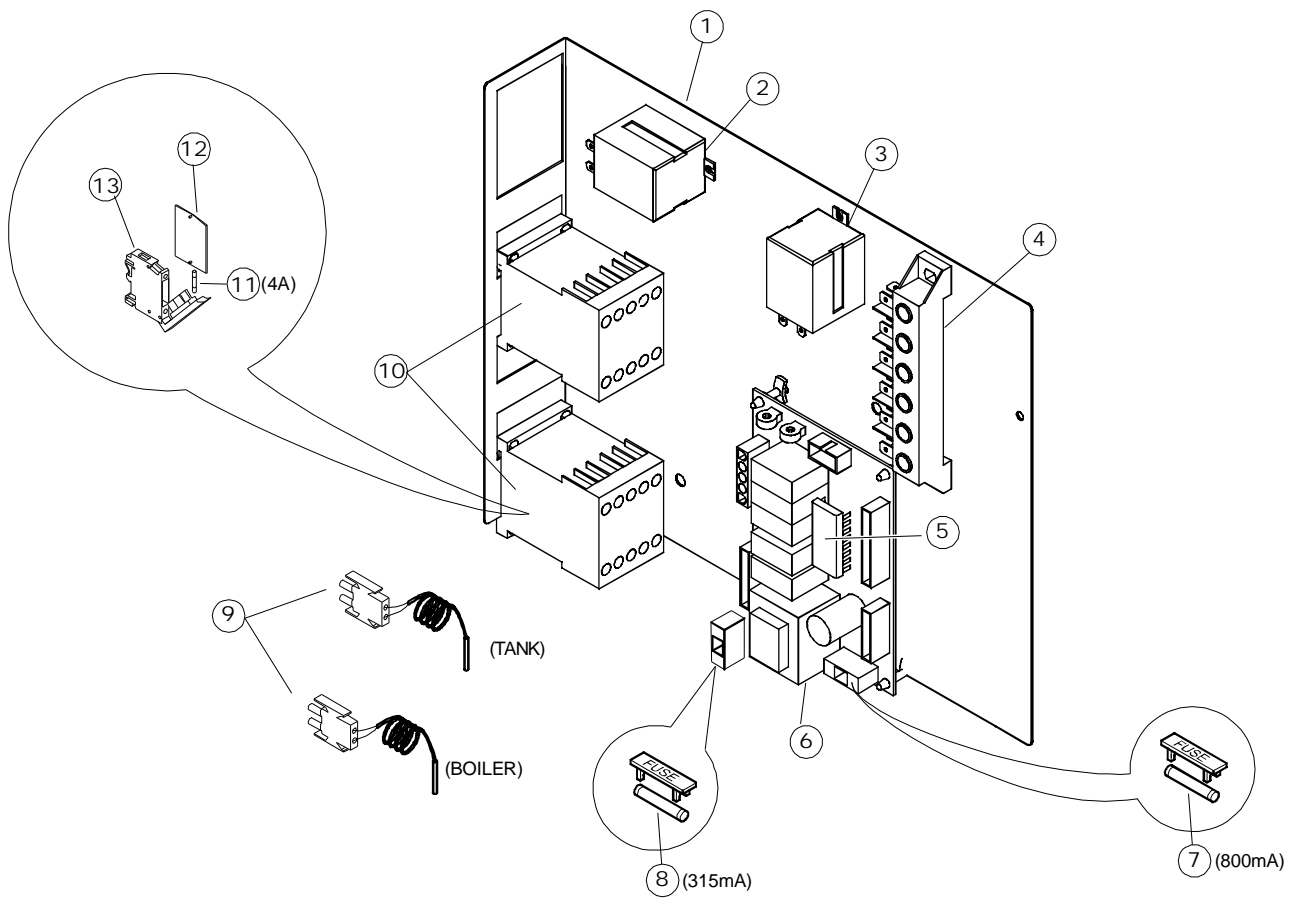


□ (Coibentazione; Insulation)

# Pagina 1

1	80068	GUIDA CAPOT GUIDE, CAPOT FÜHRUNG, DURCHSCHUBSPÜLAUTOM. GUIDE CAPOT GUIA CAPOT	
2	80099	CAPOT RIVER CAPOT RIVER DURCHSCHUBSPÜLAUTOM. RIVER CAPOT RIVER CAPOT RIVER - VER CODIGO K80099	
3	80400	CAPOT RIVER COIBENTATA CAPOT RIVER INSULATED DURCHSCHUBSPÜLAUTOM. RIVER ISOLIERT CAPOT RIVER ISOLE CAPOT RIVER - VER CODIGO K80400	
4	80998	VITE PLASTICA M4X6 (DIN933) GOLD SCREW, PLASTIC M4X6 (DIN933) GOLD SCHRAUBE, KUNST. M4X6 (DIN933) GOLD VIS PLASTIQUE M4X6 (DIN933) GOLD TORNILLO PLASTICO M4X6 (DIN933) GOLD	
5	80130	DISCO DISC SCHEIBE DISQUE DISCO	
6	80131	PERNO GUIDA PIN, GUIDE ZAPFEN, FÜHRUNG PIVOT GUIDE PERNO GUIA	
7	926108	MOLLA TRAZ.CAPOTTA f5.5 121/.. SPRING, HOOD TRAZ. f5.5 121/.. SPANNFEDER HAUBE f5.5 121/.. RESSORT TRAZ.CAPOTTA f5.5 121/.. MUELLE TRACC. CAPOTA f5. 5 121/..	
8	926007	MOLLA TRAZ.CAPOTTA f5 100/120/140 SPRING, HOOD TRAZ. f5 100/120/140 SPANNFEDER HAUBE f5 100/120/140 RESSORT TRACT.CAPOT f5 100/120/140 MUELLE TRACC. CAPOTA f5 100/120/140	
9	80163	PANNELLO POSTERIORE PIEGATO FINITO (INOX) REAR PANEL RUECKWANDVERKLEIDUNG PANNEAU ARRIERE PAN TRASERO PG ACABADO (INOX)	
10	80324	CAPPELLO X PANNELLO POSTERIORE PG.F COVER FOR REAR PANEL PG.F DECKEL FÜR HINT.PLATTE PG.F COUVERTURE POUR PANNEAU ARRIERE PG.F CAPERUZA X PANEL TRASERO PG. ACABADO	
11	80132	GUIDA SCORR.MANIGLIONE GUIDE, HANDLE SLIDING SCHIEBER, GRIFF GUIDE GLISSEM.POIGNEE GUIA CORRED. MANIJA	
12	80275	SQUADRA BRACKET WINKEL EQUERRE ESCUADRA	
13	80277	SQUADRA BRACKET WINKEL EQUERRE ESCUADRA	
14	927088	MAGNETE PER MICROINTERRUPTORE MAGNET FOR MICROSWITCH MAGNET FÜR MIKROSCHALTER AIMANT POUR MINIRUPTEUR IMAN PARA MICROINTERRUPTOR	
15	80190	SQUADRA SUPP.MANIGLIONE BRACKET, FOR HANBLE SUPP. WINKEL, HALTER FÜR GRIFF EQUERRE SUPP.POIGNEE ESCUADRA SOP. MANIJA	

16	80105	PARACOLPI CAPOT SHOCK-ABSORBER FOR CAPOT PUFFER FÜR DURCHSCHUBSPÜLAUTOM. PARE-CHOCS CAPOT GUARDAGOLPES CAPOT	
17	80240	TELAIO PORTACESTO CAPOT D1000 FRAME, RACK-HOLDER CAPOT D1000 RAHMEN, KORBHALTER DURCHSCHUBSPÜLAUTOM. D1000 CHASSIS PORTE-CASIER CAPOT D1000 BASTIDOR PORTACESTA CAPOT D1000	
18	80028	MANIGLIONE 20/10 (CAPPE COIBENTATE) HANDLE HANDGRIFF BRANCARD 20/10 MANIJA 20/10 (CAMPANAS AISLADAS)	
19	80027	MANIGLIONE RIVER HANDLE, RIVER GRIFF, RIVER POIGNEE RIVER MANIJA RIVER	
20	80623	ANELLO IN TEFLON 22X9,5X1 RING 22X9,5X1 RING 22X9,5X1 RING 22X9,5X1 ANILLO DE TEFLON 22X9,5X1	
21	80135	GRUPPO CAPPÀ COMPLETA COMPLETE HOOD HAUBE HOTTE COMPLETE GRUPO CAMPANA COMPLETA	
22	80137	GRUPPO CAPPÀ COIBENTATA COMPLETE HOOD HAUBE HOTTE GRUPO CAMPANA AISLADA	
23	80071	PANNELLO LATERALE SX PG FINIT PANEL, SIDE LH PG PLATTE, SEITL. LINKS PG MASCHINENF. PANNEAU LATERAL GAUCHE PG FINI PANEL LATERAL IZDA PG ACAB.	
24	41042	SPESSORE ADESIVO PANNELLI LATERALI LP STICKY DOOR SIDE THICKNESS KLEBENPER SCHLEGER TEMPON ADHÉSIF ESPESORE ADHESIVO PANELES LATERALES LP	
25	926009	GANCIO REGOLAZIONE MOLLA 100/120/140 HOOK, ADJUST.SPRING 100/120/140 HAKEN, FEDERREGUL. 100/120/140 CROCHET REGLAGE RESSORT 100/120/140 GANCHO REGULACION MUELLE 100/120/140	
26	80023	SQUADRA BRACKET WINKEL EQUERRE ESCUADRA	
27	80078	SQ. FISSAGGIO SOTTOPIANI GOLD PG FINITO BRACK., UNDER-SHELVES FIX. GOLD PG FINISHED BEF.WINKEL, UNTERABLAGEF.L.GOLD PG MASCHINENFERTIG EQ. FIXATION SOUS-ETAGERES GOLD PG FINI ESC. FIJACION APOYOS SUPERFICIES GOLD PG	
28	80072	PANNELLO LATERALE DX PG FINITO PANEL, SIDE RH PG PLATTE, SEITL. RECHTS PG MASCH. PANNEAU LATERAL DROITE PG FINI PANEL LATERAL DCHA PG ACABADO	
29	79028	PIEDE IN ACCIAIO INOSSIDABILE 1" 3/4 (REGOLABILE 160-225M) STAINLESS STEEL ADJ.FEET 1" 3/4 FUSS AUS NICHT ROSTENDEM STAHL 1" 3/4 VERRIN EN ACIER INOXYDABLE 1" 3/4 PATA 1"3/4 M12 160-225MM REDONDA	
30	80075	PANNELLO ANTERIORE GL72 PANEL, FRONT GL72 PLATTE, VORN GL72 PANNEAU ANTERIEUR GL72 PANEL DELANTERO GL72	

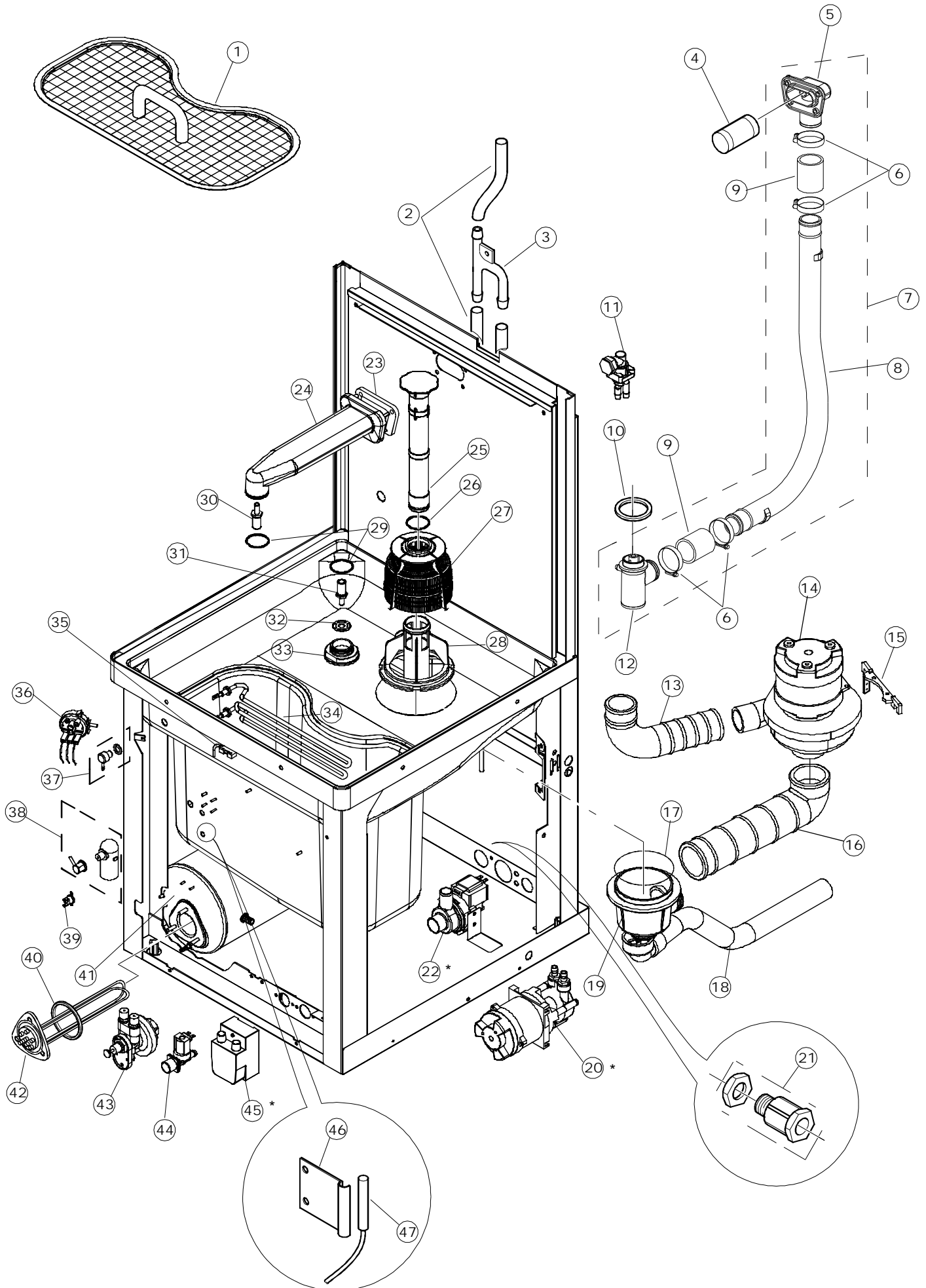


## Pagina 2

1	80372	STAFFA COMP.ELETTRICI RIVER BRACKET, ELECTR.COMP. RIVER BÜGEL, EL.KOMP. RIVER ETRIER COMP.ELECTRIQUES RIVER SOPORTE COMP. ELECTRICI RIVER	
2	229029	RELE` FINDER 65.31 230/50 RELAY FINDER 65.31 230/50 RELAIS FINDER 65.31 230/50 RELAIS FINDER 65.31 230/50 RELE FINDER 65. 31 230/50	
3	929115	RELE 16A 230V 62.82 RELAY 16A 230V 62.82 RELAIS 16A 230V 62.82 RELAIS 16A 230V 62.82 RELE 16A 230V 62. 82	
4	220011	* MORSETTIERA 5.POLI + TERRA FV.122 * TERMINAL BOARD, 5-POLES + EARTH FV.122 * KLEMMENBRETT, 5-POLIG + ERDUNG FV.122 * PLAQUE A BORNE 5POLES + TERRE FV.122 * BORNERO 5. POLOS + TIERRA FV. 122	
5	81000	MICROPROCESSORE CAPOT RIVER NM MICROPROCESSOR CAPOT RIVER NM. MIKROPROZESSOR DURCHSCHUBSPÜLAUTOM. RIVER NM MICROPROCESSEUR CAPOT RIVER NM MICROPROCESADOR CAPOT RIVER NM	
6	215023	SCHEDA GET-5/NIAGARA-RIVER CARD GET-5/NIAGARA-RIVER KARTE GET-5/NIAGARA-RIVER FICHE GET-5/NIAGARA-RIVER TARJETA CHORROS-5/NIAGARA-RIVER	
7	926284	FUSIBILE 800MA(DEF71) FUSE, 800MA(DEF71) SICHERUNG, 800MA(DEF71) FUSIBLE 800MA(DEF71) FUSIBLE 800MA	
8	926283	FUSIBILE 315MA(DEF72) FUSE, 315MA(DEF72) SICHERUNG, 315MA(DEF72) FUSIBLE 315MA(DEF72) FUSIBLE 315MA	
9	231014	SONDA TEMPERATURA GET-5 PROBE, TEMP. GET-5 SONDE, TEMP. GET-5 SONDE TEMPERATURE GET-5 SONDA TEMPERATURA CHORROS-5	
10	229037	CONTATTORE QUADRIPOLORE X5 22A CONTACTOR QUADRIPOLE X5 22A SCHALTSCHÜTZ VIERPOL. X5 22A CONTACTEUR QUADRIPOLAIRE X5 22A CONTACTOR CUADRIPOLAR X5 22A	
11	228004	FUSIBILE 5X20 4A FAST FUSE, 5X20 4A FAST SICHERUNG, 5X20 4A FAST FUSIBLE 5X20 4A FAST FUSIBLE 5X20 4A FAST	
12	H.228048	* CHIUSURA PORTA-FUSIBILE * CLAMPING FOR FUSE-HOLDER * SICHERUNGSTRAGER-VERSCHLUSS * COUVERTURE PORTE-FUSIBLE * CIERRE PORTAFUSIBLE	
13	H.228047	* PORTA-FUSIBILE * FUSE-HOLDER *SICHERUNGSTRAGER * PORTE-FUSIBLE * PORTAFUSIBLE	
14	80934	CAVO FLAT COMANDI INFERIORI CAPOT CABLE FLAT CAPOT KABEL FLAT CABLE LIAISON CABLE FLAT MANDOS INFERIORES CAPOT	
15	80900	TASTIERA COMANDI CAPOT GL KEYBOARD, CONTROLS CAPOT GL TASTATUR, STEUER. DURCHSCHUBSPÜLAUTOM. GL ENS.TABLEAU DE COMMANDE CAPOT GL TECLADO MANDOS CAPOT GL	

16	461021	PIEDINO PL.SCHEDA PULS.X5 FOOT, PLAST. PB CARD X5 STÜTZFUSS, KUNST. DRUCKT. KARTE X5 PIED PLAST.FICHE TABL.BOUT-POUSS.X5 VER CODIGOS 419036+417119	
17	80300	MASCHERINA GL71 CONTROL PANEL BOARD FRONTBLLENDE PANNEAU AVANT MASCARILLA GL71	





(\* ) Optional

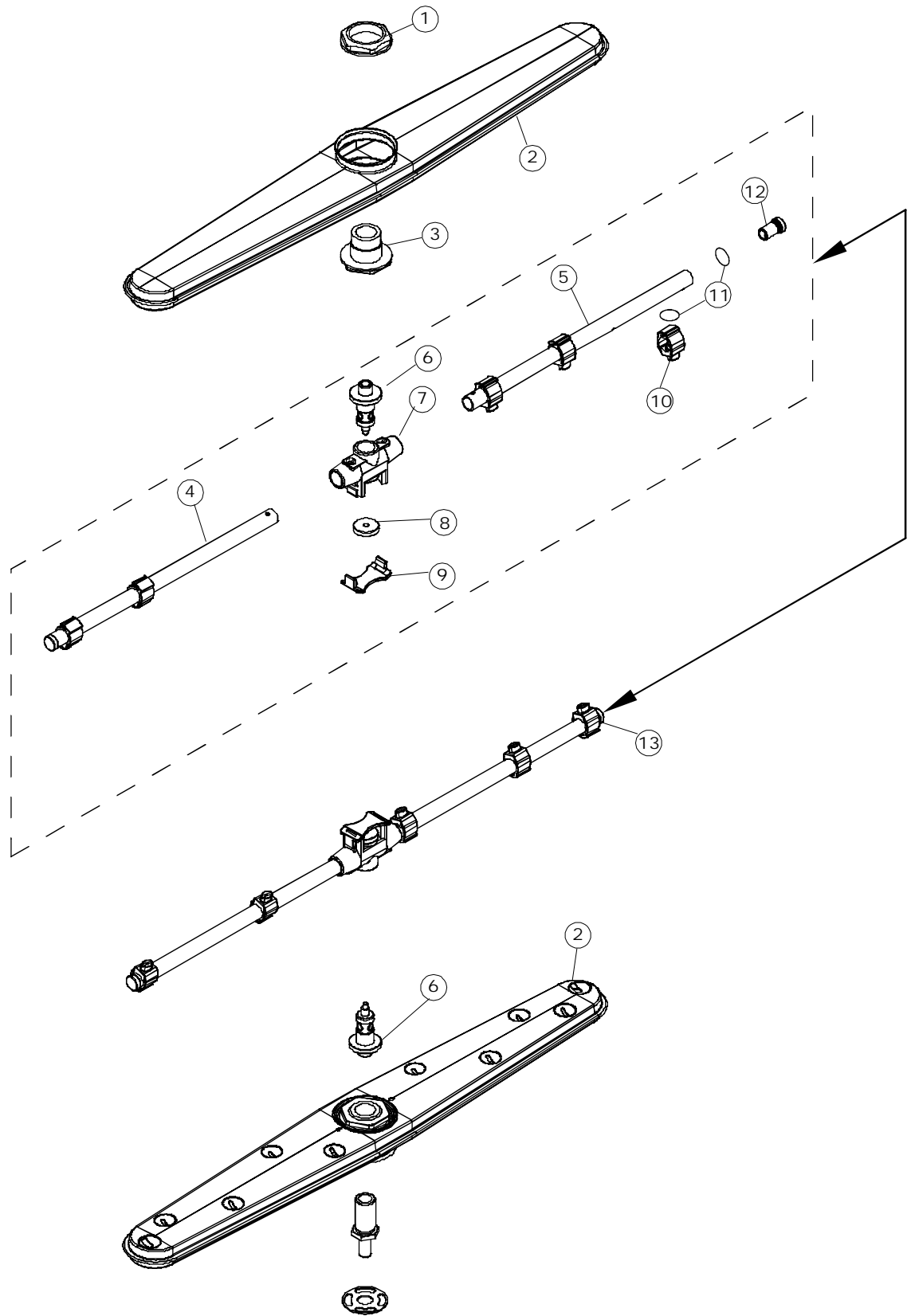
# Pagina 3

1	80149	FILTRO VASCA RIVER 80/81 FILTER, TANK - RIVER 80/81 FILTER, TANK - RIVER 80/81 FILTRE CUVE RIVER 80/81 FILTRO CUBETA RIVER 80/81 SOST.DA 80410	
2	143010	TUBO PRESS.TP 12X19.5 PIPE, PRESSURE SWITCH TP 12X19.5 ROHR, DRUCKSCHALTER TP 12X19.5 TUYAU PRESS.TP 12X19.5 TUBO PRES. TP 12X19. 5	
3	143173	GIUNZIONE RISC.PLAST.35/40/50 JOINT, RINSE PLAST.35/40/50 VERBIND., NACHSPÜLEN KUNST.35/40/50 JOINT RINC.PLAST.35/40/50 UNION ENJUAGUE PLAST. 35/40/50	
4	441009	INSERTO TENUTA D10 COLL.S621- INSERT, SEAL D10 COLL.S621- EINSATZ, DICHT. D10 SAMM.S621- INSERT ÉTANCHEITE D10 COLL.S621- ELEMENTO ESTANQ. D10 COLECT. S621-	
5	80174	RACCORDO LAV.SUP.EST.GOLD (COL.NEUTRO) UNION, WASH.UPP.OUTS.GOLD (NEUTRAL COL.) VERBINDUNGSST., OB.SPÜL. AUSS.GOLD (NEUTR. FARBE) RACCORD LAV.SUP.EXT.GOLD (COL.NEUTRE) EMPALME LAV. SUP. EXT. GOLD (COL. NEUTRO)	
6	CFS1A	FASCETTA A VITE TORRO W1/W2B 40-60/12 CLAMP, HOSE-TYPE TORRO W1/W2B 40-60/12 SCHELLE, SCHRAUBE TORRO W1/W2B 40-60/12 BANDE DE SERRAGE A VIS TORRO W1/W2B 40-60/12 ABRAZ. CON TORNILLO TORRO W1/W2B 40-60/12	
7	80237	CONDOTTA LAVAGGIO PLASTICA RIVER PIPE, WASHING PLASTIC RIVER LEITUNG, SPÜLEN KUNST. RIVER CONDUITE LAVAGE PLASTIQUE RIVER CONDUCTO LAVADO PLASTICO RIVER	
8	80238	TUBO MANDATA LAVAGGIO CAPOT  TUBO MANDATA  TUBO IMPULSION LAVADO CAPOT	
9	80189	MANICOTTO (X TUBO LAVAGGIO 80237)ART.660 SLEEVE (FOR WASH.TUBE 80237) ART.660 MUFFE (FÜR SPÜLROHR 80237) ART.660 MANCHON (POUR TUYAU LAVAGE 80237)ART.660 MANGUITO (X TUBO LAVADO 80237)ART. 660	
10	80182	GUARNIZIONE MANDATA INF.CAPOT RV. GASKET, LOW.DELIVERY HOOD RV. DICHTUNG, UNTEN VERSORGUNG DURCHSCHUBSP. RV. JOINT REFOULEMENT INF.CAPOT RV. JUNTA IMPULSION INF. CAPOT RV.	
11	144010	DISPOSIT.A/R.(EB) CON RACCORDO SFIATO CHECK VALVE (EB) W/DRAIN UNION RÜCKSCHLAGVORR.(EB) MIT ENTLÜFTUNG DISPOSIT.A/R.(EB) AVEC RACCORD DE VIDANGE DISPOSIT. A/R. (EB) CON EMPALME ALIVIAD.	
12	80179	RACCORDO LAV.INF. EST.GOLD (COL.NEUTRO) UNION, WASH.LOW. OUTS.GOLD (NEUTRAL COL.) VERBINDUNGSST., UNT.SPÜL. AUSS.GOLD (NEUTR. FARBE) RACCORD LAV.INF. EXT.GOLD (COL.NEUTRE) EMPALME LAV. INF. EXT. GOLD (COL. NEUTRO)	
13	80188	MANICOTTO MANDATA POMPA RIVER 80/81 SLEEVE, PUMP DELIVERY RIVER 80/81 MUFFE, ZUFUHR PUMPE RIVER 80/81 MANCHON REFOUL. POMPE RIVER 80/81 MANGUITO IMPULSION BOMBA RIVER 80/81	
14	80112	POMPA RIVER 80 PUMP RIVER 80 PUMPE RIVER 80 POMPE RIVER 80 BOMBA RIVER 80	
15	80545	SQ. SUPPORTO POMPA X 80112 & 80114 BRACK., PUMP SUPPORT X 80112 & 80114 WINKEL, HALTER FÜR PUMPE X 80112 & 80114 EQ. SUPPORT POMPE X 80112 & 80114 ESCUADRA SOPORTE BOMBA X 80112 & 80114	

16	80186	MANICOTTO ASPIRAZ.POMPA RIVER SLEEVE, SUCT.PUMP RIVER MUFFE, ABSAUG.PUMPE RIVER MANCHON ASPIRAT.POMPE RIVER MANGUITO ASPIRAC. BOMBA RIVER	
17	456040	OR 201 NBR70 22 O-ring 201 NBR70 22 O-Ring 201 NBR70 22 OR 201 NBR70 22 OR 201 NBR70 22	
18	143136	TUBO SCARICO VERS.NE INTEGR.22 PIPE, DRAIN - INTEGR. VERSION 22 ABLASSROHR - VOLLST. VERSION 22 TUYAU VIDANGE VERS.NE INTEGR.22 TUBO DESCARGA VERSION INTEGR. 22	
19	136020	CORPO ASPIRAZIONE/SCARICO 22/44 INTAKE/DRAIN BODY 22/44 GEHAUSE, EINLASS/ABLASS 22/44 CORPS ASPIRATION/VIDANGE 22/44 CUERPO ASPIRACION/DESCARGA 22/44	
20	130143	POMPA AUSILIARIA FLANGIA PLASTICA AUXILIARY PUMP, PLASTIC FLANGE HILFSPUMPE, KUNST. FLANSCH POMPE AUXILIAIRE BRIDE PLASTIQUE BOMBA AUXILIAR BRIDA PLASTICO	
21	929104	PRESSACAVO 106/21 OBO CABLE CLAMP 106/21 OBO KABELKLEMME 106/21 OBO PRESSE-CABLE 106/21 OBO SUJETA-CABLE 106/21 OBO	
22	80117	POMPA SCARICO RIVER DRAIN PUMP RIVER ABLASSPUMPE RIVER POMPE VIDANGE RIVER BOMBA DESCARGA RIVER	
23	80178	GUARNIZIONE GASKET DICHTUNG JOINT JUNTA	
24	80177	CONDOTTO LAVAGGIO SUP.RIVER PIPELINE - WASHING, UPPER RIVER LEITUNG - SPÜLEN, OB. RIVER CONDUITE LAVAGE SUP.RIVER CONDUCTO LAVADO SUP. RIVER	
25	80249	TROPPO PIENO RIVER 80/81 OVERFLOW RIVER 80/81 ÜBERLAUF RIVER 80/81 TROP-PLEIN RIVER 80/81 REBOSE RIVER 80/81	
26	456016	OR 32.50x3.60 O-ring 32.50x3.60 O-Ring 32.50x3.60 OR 32.50x3.60 OR 32. 50x3. 60 VER DO. CGR4131NT	
27	121081	FILTRO POMPA GRIGIO 44/TERZ. FILTER, PUMP GREY 44/TERZ. FILTER, PUMPE GRAU 44/TERZ. FILTRE POMPE GRIS 44/TERZ. FILTRO BOMBA GRIS 44/TERZ.	
28	80470	GHIERA SCARICO RING NUT, DRAIN GEWINDERING, ABLAUF BAGUE VIDANGE VIROLA DESCARGA COLG.VER COD.429038	
29	303032	ANELLO INOX DI TENUTA LAVAGGIO X5 RING, INOX WASH. SEAL X5 DICHTUNGSRING, INOX SPÜL. X5 BAGUE INOX D'ETANCHEITE LAVAGE X5 ANILLO INOX DE ESTANQ. LAVADO X5	
30	80282	ALBERO PERNO RISC.RIVER SHAFT, WASH RINSE RIVER WELLE, ZAPFEN NACHSPÜLEN RIVER ARBRE PIVOT RINC.RIVER EJE PERNO ENJUAGUE RIVER	

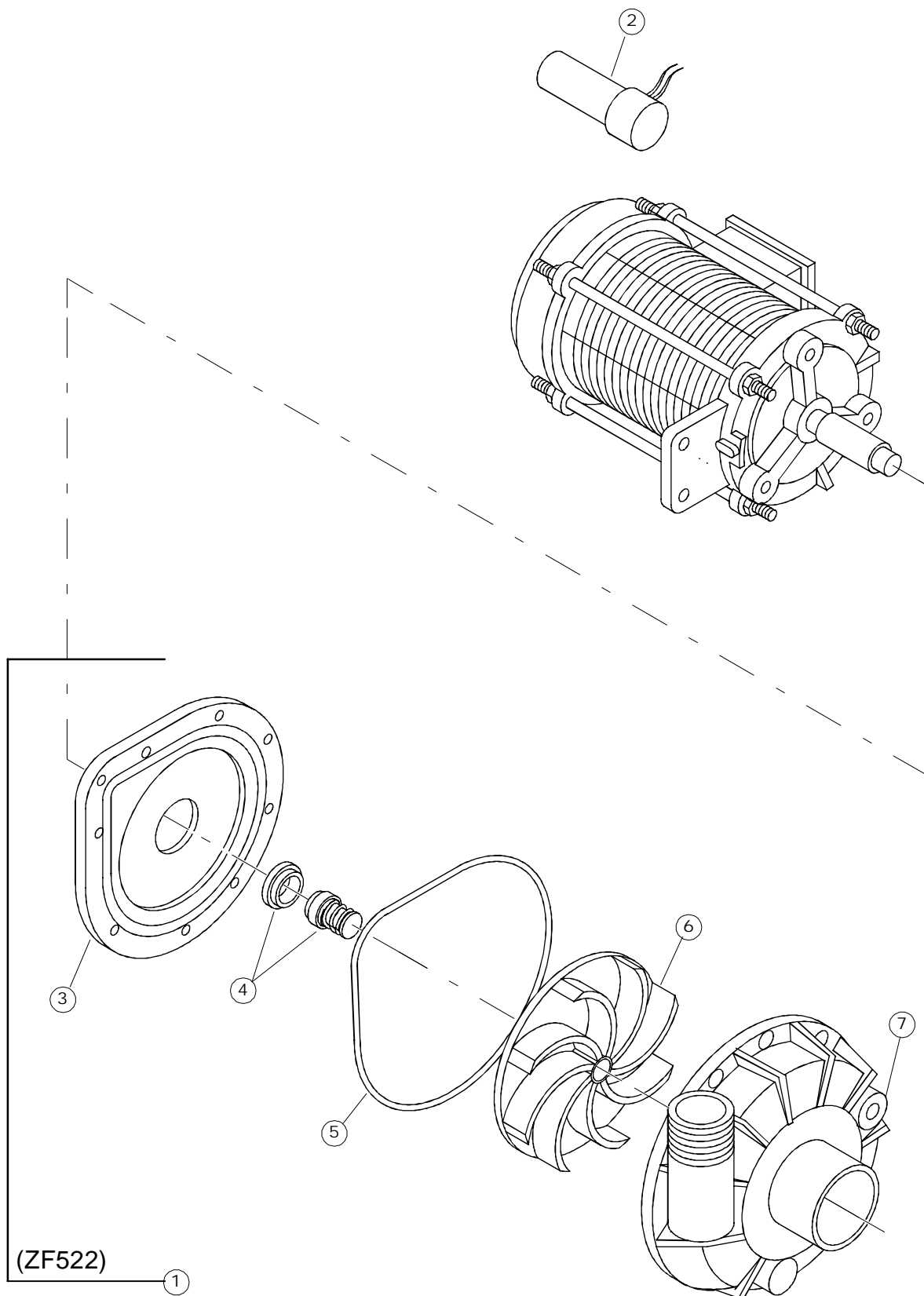
31	80283	PERNO INFERIORE LANCIA LAVAGGIO ALTO PIN, LOWER, WASH.NOZZLE, HIGH ZAPFEN, UNTEN, SPÜLLANZE HOCH PIVOT INFERIEUR RAMPE DE LAVAGE HAUT PERNO INFERIOR LANZA LAVADO ALTO	
32	80316	PARZIALIZZATORE RIVER CAPOT DRAUGHT SHUTTER RIVER CAPOT DROSSELGERAT RIVER-DURCHSCHUBSPÜLAUTOM. ETANGLEUR RIVER CAPOT PARCIALIZADOR RIVER CAPOT	
33	80281	GHIERA LAVAGGIO INFERIORE INTERNO ALTA RING NUT, INSIDE LOWER WASHING, HIGH GEWINDERING, INN. UNT. SPÜLEN, HOCH BAGUE LAVAGE INF. INT. HAUTE VIROLA LAVADO INFERIOR INTERNO ALTA	
34	80360	RESISTENZA VASCA RIVER CAPOT RESISTANCE, TANK RIVER CAPOT WIDERSTAND, TANK DURCHSCHUBSPÜLAUTOM. RIVER RESISTANCE CUVE RIVER CAPOT RESISTENCIA CUBETA RIVER VER COD.80677	
35	211002	CONT.MAGNETICO+CAVO 302N.Ocm25 CONTACT, MAGNETIC+CABLE 302N.Ocm25 KONTAKT, MAGNET.+KABEL 302N.Ocm25 CONT. MAGNETIQUE+CABLE 302N.Ocm25 CONT. MAGNETICO+CABLE 302N. Ocm25	
36	224002	PRESSOSTATO - 110/60 PRESSURE SWITCH - 110/60 DRUCKSCHALTER - 110/60 PRESSOSTAT - 110/60 PRESOSTATO - 110/60	
37	468151	RACCORDO ENTRATA SAPONE CPL NM * SALDATO UNION, EXTRA DET. CPL NM * WELDED VERBINDUNGSST., SEIFENEINTRITT CPL NM * GESCHW. RACCORD ENTREE SAVON CPL NM * SOUDE EMPALME ENTRADA JABON CPL NM * SOLDADO	
38	984005	GRUPPO CAMPANA PRESSOST.35/40 PRESSURE SWITCH BELL 35/40 GLOCKE, DRUCKSCHALTER 35/40 ENS.BOITE PRESSOSTAT 35/40 GRUPO CAMPANA PRESOSTATO 35/40	
39	926189	TERMOSTATO BOILER SIC.95ø THERMOSTAT, BOILER, SAF.95ø THERMOSTAT, BOILER, SICHERH.95ø THERMOSTAT CHAUDIERE SEC. 95ø TERMOSTATO CALENTADOR SEG. 95ø	
40	456002	OR 48x6,2 O-ring 48x6,2 O-Ring 48x6,2 OR 48x6,2 OR 48x6,2	
41	80389	BOILER RIVER CAPOT BOILER RIVER CAPOT BOILER DURCHSCHUBSPÜLAUTOM. RIVER CHAUDIERE RIVER CAPOT CALENTADOR RIVER CAPOT	
42	230083C	KIT RESISTENZA REB230083 (6KW) KIT, RESISTANCE REB230083 (6KW) KIT, WIDERSTAND REB230083 (6KW) KIT RESISTANCE REB230083 (6KW) KIT RESISTENCIA REB230083 (6KW)	
43	926278	POMPA DOS.BRILL.SEKO 26277 01 01 RIVER RINSE-AID DISP.PUMP SEKO 26277 01 01 RIVER KLARSPÜLERDOSIER.PUMPE SEKO 26277 01 01 RIVER POMPE DOS.TENSIOACT.SEKO 26277 01 01 RIVER VER CODIGO 209025	
44	240016	VALVOLA DI CARICO 1VIA 3/4 230V PARZ.16L LOADING S.VALVE 1-WAY 3/4 230V PART.16L ZUFLUSSVENTIL 1-WEG 3/4 230V DROSS.16L SOUPAPE DE CHARG. 1VOIE 3/4 230V PARZ.16L VALVULA DE CARGA 1VIA 3/4 230V PARC. 16L	
45	209016	DOSAT.PERISTALTICO SEKO 230/50 (PBR) DISPENSER, PERISTALTIC SEKO 230/50 (PBR) DOSIERER, PERISTALT. SEKO 230/50 (PBR) DOSEUR PERISTALTIQUE SEKO 230/50 (PBR) DOSIFIC. PERISTALTICO (VER COD. 209021)	

46	H.775489-001	CLIP SONDA TEMPERATURA D5 CLIP FOR TEMP.SENSOR D5 KLIPP FÜR TEMP.FÜHLER D5 CLIP SONDE TEMPERATURE D5 CLIP SONDA TEMPERATURA D5	
47	231014	SONDA TEMPERATURA GET-5 PROBE, TEMP. GET-5 SONDE, TEMP. GET-5 SONDE TEMPERATURE GET-5 SONDA TEMPERATURA CHORROS-5	



# Pagina 4

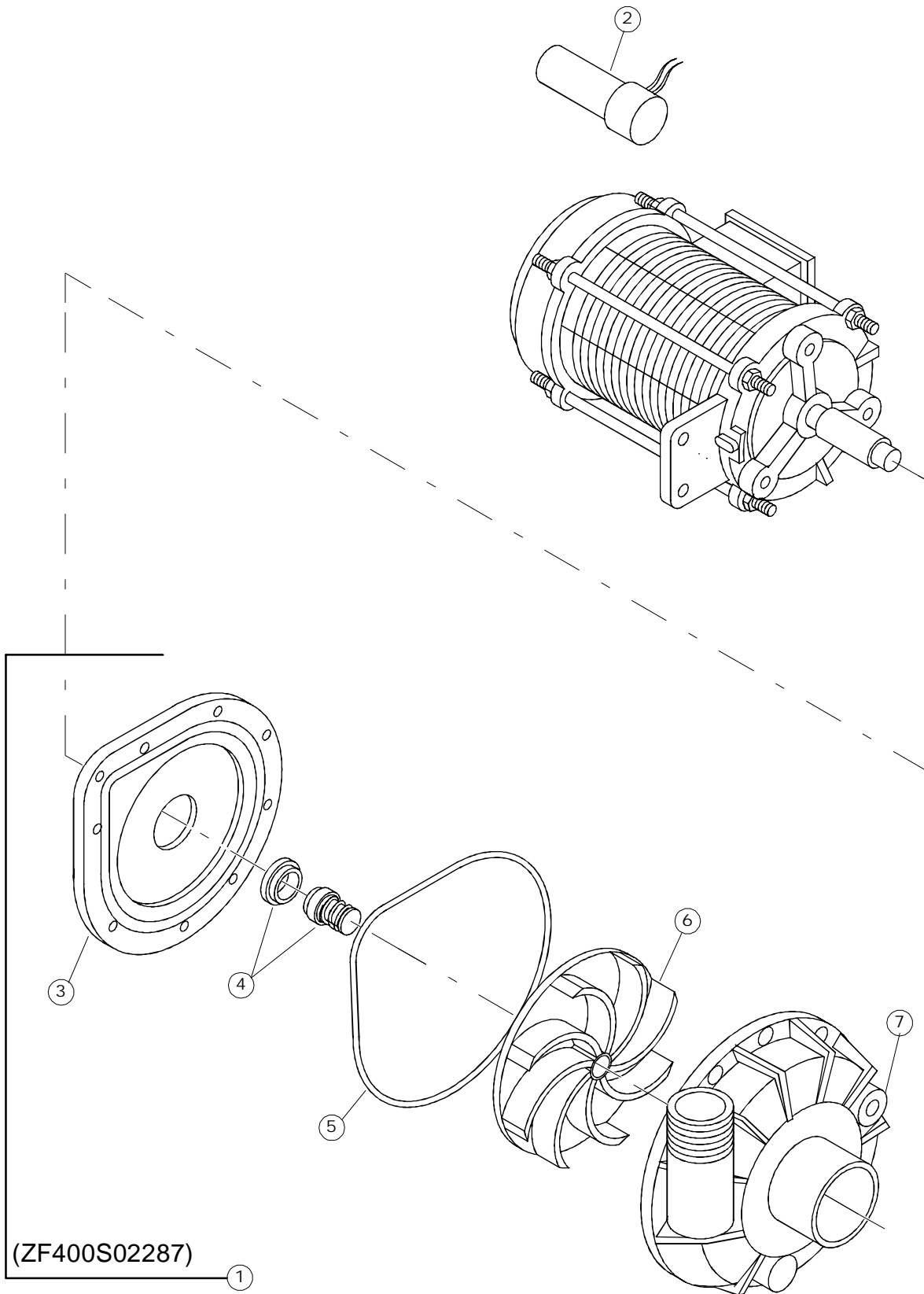
1	80314	DADO LANCIA LAVAGGIO GRIGIO NUT, WASH-ARM GREY SCHRAUBENMUTTER, SPÜLLANZE GRAU ECROU RAMPE DE LAVAGE GRIS VER CODIGO 926128	
2	80311	PETTINE LAVAGGIO RIVER CAPOT COMB, WASHING RIVER CAPOT KAMM, SPÜLEN RIVER-DURCHSCHUBSPÜLAUTOM. PEIGNE LAVAGE RIVER CAPOT PEINE LAVADO RIVER CAPOT	
3	80310	SUPPORTO LANC/LAVAGGIO (RAL7001) SUPPORT, WASH-ARM/WASH. (RAL7001) HALTER, SPÜLLANZE/SPÜL. (RAL7001) SUPPORT RAMPE DE LAVAGE (RAL7001) SOPORTE LANC/LAVADO (RAL7001)	
4	80375	TUBO RISC.(2FORI)RIVER 80/81 PIPE, RINSE(2HOLES)RIVER 80/81 ROHR, NACHSPÜLEN(2LÖCHER)RIVER 80/81 TUYAU RINC.(2TROUS)RIVER 80/81 TUBO ENJUAGUE (2AGUJEROS )RIVER 80/81	
5	80376	TUBO RISC.(3FORI)RIVER 80/81 PIPE, RINSE(3HOLES)RIVER 80/81 ROHR, NACHSPÜLEN(3LÖCHER)RIVER 80/81 TUYAU RINC.(3TROUS)RIVER 80/81 TUBO ENJUAGUE (3AGUJEROS )RIVER 80/81	
6	80380	PERNO PETTINE RISC.RIVER PIN, RINSE COMB RIVER ZAPFEN, NACHSPÜLKAMM RIVER PIVOT PEIGNE RINC.RIVER PERNO PEINE ENJUAGUE RIVER	
7	129059	CORPO RISCACQUO GRIGIO(80371) RINSE ROTATING ARM GREY(80371) NACHSPÜLARM X5 GRAU(80371) CORPS RINCAGE GRIS(80371) CUERPO ENJUAGUE X5 GRIS(80371)	
8	454005	NOTTOLINO TORNITO D21.5 PAWLN, TURNED D21.5 KLINKE, GEDREHT D21.5 CLIQUET TOURNE D21.5 TRINQUETE TORNEADO D21. 5	
9	412030	FERMO DI SICUR.NOTT.X5 GRIGIO(80374) SAFETY STOPPER, PAWL GREY (80374) SICHERH.HALTEVORR., KLINKE GRAU (80374) ARRET DE SECURITE CLIQUET GRIS (80374) TOPE DE SEGUR. TRINQUETE X5 GRIS(80374)	
10	140028	SPRUZZO RISCACQUO D.3,5 GRIGIO(80373) SPRAY D.3,5 GREY(80373) SPRITZ D.3,5 GRAU(80373) JET RINCAGE D.3,5 GRIS(80373) ROCIADOR ENJUAGUE D. 3,5 GRIS(80373)	
11	456060	OR 2025(CGR2025) O-ring 2025(CGR2025) O-Ring 2025(CGR2025) OR 2025(CGR2025) OR 2025(CGR2025)	
12	926132	TAPPO PL.X BRACCIO DI RISC.(DWT312) CAP, PLASTIC FOR WASH. ARM (DWT312) PFROPFEN, KUNST. FÜR NACHSPÜLARM (DWT312) BOUCHON PL.POUR BRAS DE RINC.(DWT312) TAPON PL. X BRAZO DE ENJUAGUE (DWT312)	
13	80370	PETTINE RISCACQUO RIVER 80/81 COMB, RINSE RIVER 80/81 KAMM, NACHSPÜLEN RIVER 80/81 PEIGNE RINCAGE RIVER 80/81 PEINE ENJUAGUE RIVER 80/81	





# Pagina 5

1	80112	POMPA RIVER 80 PUMP RIVER 80 PUMPE RIVER 80 POMPE RIVER 80 BOMBA RIVER 80	
2	206005	CONDENSATORE DA 20 mF CONDENSER - 20 mF KONDENSATOR - 20 mF CONDENSATEUR DE 20 mF CONDENSADOR DE 20 mF	
3	315011	FLANGIA POMPA LGB T-150/160/170 FLANGE, PUMP LGB T-150/160/170 FLANSCH, PUMPE LGB T-150/160/170 BRIDE POMPE LGB T-150/160/170 BRIDA BOMBA LGB T-150/160/170	
4	926255	TENUTA MECCANICA PER EL./POMPA ZF40V SEAL, MECH. FOR MOTORPUMP ZF40V DICHTUNG, MECH. FÜR ELEKTROPUMPE ZF40V JOINT MECANIQUE PER ELECTROP. ZF40V SELLO MECANICO PARA ELECTROBOMBA ZF40V	
5	456031	OR T30-1297 D.2 O-ring T30-1297 D.2 O-Ring T30-1297 D.2 OR T30-1297 D.2 OR T30-1297 D. 2	
6	124031	GIRANTE CHIUSO 50HZ D.104 T170 IMPELLER, CLOSED 50HZ D.104 T170 LAUFRAD, ZU 50HZ D.104 T170 ROUE FERMEE 50HZ D.104 T170 ROTOR CERRADO 50HZ D. 104 T170	
7	116013	CORPO POMPA S651 T150-160 PUMP SHELL, S651 T150-160 PUMPENGEHAUSE, S651 T150-160 CORPS POMPE S651 T150-160 CUERPO BOMBA S651 T150-160	



# Pagina 6

1	80114	POMPA RIVER 81 1.1KW 220/240-50HZ PUMP RIVER 81 1.1KW 220/240-50HZ PUMPE RIVER 81 1.1KW 220/240-50HZ POMPE RIVER 81 1.1KW 220/240-50HZ BOMBA 1.1KW 220/240-50HZ VER COD.80113	
2	206005	CONDENSATORE DA 20 mF CONDENSER - 20 mF KONDENSATOR - 20 mF CONDENSATEUR DE 20 mF CONDENSADOR DE 20 mF	
3	80842	FLANGIA POMPA LAVAGGIO PUMP FLANGE FLANSCH PUMPE BRIDE POMPE BRIDA BOMBA LAVADO	
4	80843	TENUTA MECC.COMP POMPA LAV(ZF400SX-2287) ART.0146R+ MECH.WASHPUMP SEAL (ZF400SX-2287) MECH.DICHTUNG SPUELMpumpe (ZF400SX-2287) JOINT D'ETANCH.MEC POMPE LAVAGE (ZF400SX -2287) ESTANQ. MEC.COMP BOMBA LAV(ZF400SX-2287)	
5	80844	GUARNIZIONE POMPA LAVAGGIO(ZF400SX-2287) ART.1743R GASKET WASH PUMP (ZF400SX-2287) DICHTUNG WASH PUMPE (ZF400SX-2287) JOINT POMPE LAVAGE (ZF400SX-2287) JUNTA BOMBA LAVADO(ZF400SX-2287)	
6	80845	GIRANTE POMPA LAVAGGIO(ZF400SX-2287) ART.2286R IMPELLER WASH PUMP (ZF400SX-2287) PUMPENFLUEGEL (ZF400SX-2287) TURBINE POMPE LAVAGE (ZF400SX-2287) ROTOR BOMBA LAVADO(ZF400SX-2287)	
7	80846	CHIOCCIOLA POMPA LAVAGGIO PUMP SCROLL PUMPENGEHAEUSE VIS SANS FIN ESPIRAL BOMBA LAVADO	